

*This product is sold  
and supported  
in the USA by*



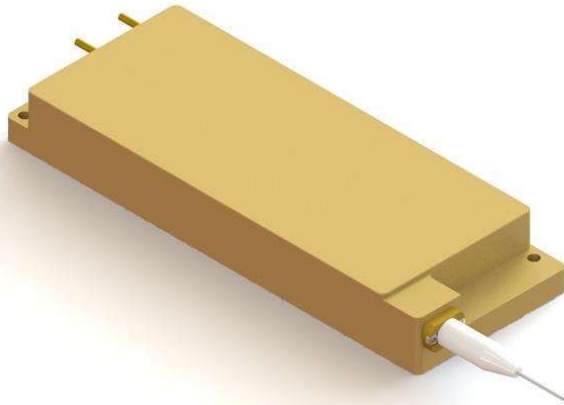
**LASER LAB SOURCE**  
marketplace for **Scientists & Engineers**

**[contact@LaserLabSource.com](mailto:contact@LaserLabSource.com)**

**800.887.5065**

**976nm 330W High Power Fiber Coupled Diode Laser**  
**K976-A0-330.0W-20022-S**

---



**Features:**

- ◆ 976nm wavelength
- ◆ 330W output power
- ◆ 200  $\mu$ m fiber core diameter
- ◆ 0.22N.A.
- ◆ 1020nm-1200nm feedback protection

**Applications:**

- ◆ Fiber laser pumping

BWT Beijing's High Power Diode Laser Modules are manufactured by adopting specialized fiber-coupling techniques, resulting in volume products with a high efficiency, stability and superior beam quality. The products are achieved by transforming the asymmetric radiation from the laser diode chip into an output fiber with small core diameter by using special micro optics. Inspecting and burn-in procedures in every aspect come to a result to guarantee each product with the reliability, stability and long lifetime.

Our research staffs are constantly improving and innovating the processing technology in the producing process, based on the professional knowledge and experience accumulated in long-terms. We are also continuously developing new products to meet customers' specific needs.

At BWT Beijing, to provide high quality products with reasonable price is our always goal.

## 976nm 330W High Power Fiber Coupled Diode Laser K976-A0-330.0W-20022-S

Specifications(25°C)		Symbol	Unit	K976-A0-330.0W-20022-S		
				Minimum	Typical	Maximum
Optical Data <sup>(1)</sup>	CW Output Power (in fiber)	$P_o$	W	-	330	-
	CW Output Power (as measured)	$P_o$	W	320	330	-
	Center Wavelength	$\lambda_c$	nm	973	976	979
	Spectral Width (FWHM)	$\Delta\lambda$	nm	-	4	-
	Wavelength Shift with Temperature	$\Delta\lambda/\Delta T$	nm/°C	-	0.3	-
	Light within 0.17NA	-	%	90	-	-
Electrical Data	Operating Current	$I_{op}$	A	-	21	22
	Threshold Current	$I_{th}$	A	-	1	-
	Electrical-to-Optical Efficiency	$\eta$	%	-	50	-
	Slope Efficiency	$\eta_D$	W/A	-	17	-
	Operating Voltage	$V_{op}$	V	-	33	34
Fiber Data	Core diameter	$D_{core}$	$\mu m$	-	200	-
	Cladding diameter	$D_{clad}$	$\mu m$	-	220	-
	Numerical Aperture	N.A.	-	-	0.22	-
	Total Fiber Length	-	m	-	2.0	-
	Fiber Loose Tubing Diameter	-	$\mu m$	-	900	-
	Bending Radius	-	mm	88	-	-
	Connector	-	-	-	FC	-
Feedback Isolation	Wavelength Range	$\lambda$	nm	1020	-	1200
	Isolation	-	dB	-	30	-
Others	Operating Case Temp.	$T_{op}$	°C	15	-	35
	Storage Temp. ( Non-operating )	$T_{st}$	°C	-20	-	+70
	ESD	-	V	-	-	500
	Lead Soldering Temp.	-	°C	-	-	260
	Lead Soldering Time	-	sec	-	-	10
	Relative Humidity	-	%	15	-	75

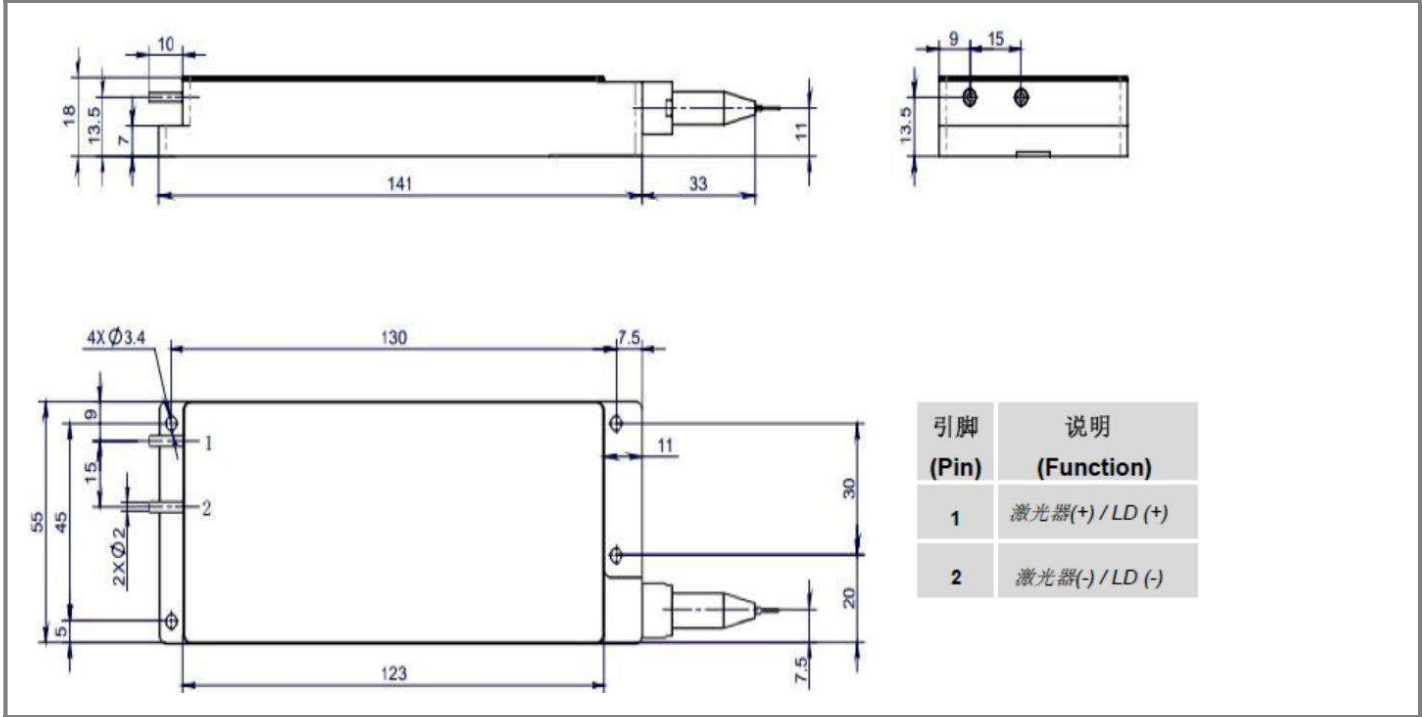
(1) Data measured under LD base plate heat balance with 25°C.

(2) A non-condensing environment is required for operation and storage.

(3) Operating temperature defined by the package case. Acceptable operating range is 15°C~35°C, but performance may vary.

## 976nm 330W High Power Fiber Coupled Diode Laser K976-A0-330.0W-20022-S

### Package Dimensions (Unit: mm)



### OPERATING NOTES

- ◆ Avoid eye and skin exposure to direct radiation during operation.
- ◆ ESD precautions must be taken during storage, transportation and operation.
- ◆ Please connect pins to wires by solder instead of using socket when operation current is higher than 6A. Soldering point should be close to the root of the pins. Soldering temperature should be lower than 260°C and time shorter than 10 second.
- ◆ Make sure the fiber output end is properly cleaned before operation of laser. Follow safety protocols to avoid injury when handling and cutting the fiber.
- ◆ Use constant current power supply to avoid surge current during operation.
- ◆ Laser diode must be used according to the specifications.
- ◆ Laser diode must work with good cooling.
- ◆ Operation temperature ranges from 15°C to 35°C .
- ◆ Storage temperature ranges from -20°C to +70°C .



Information and specifications contained herein are deemed to be reliable and accurate. BWT Beijing reserves the right to change, alter or modify the design and specifications of these products at any time without notice.20-2

Distributor



info@amstechnologies.com  
www.amstechnologies-webshop.com