



525nm, 2 Watt Fiber-Coupled Laser Diode

105µm Fiber, FC Connector

RLS / 525NM-2W-105UM

OPTICAL SPECIFICATIONS

- Wavelength: 525nm \pm 5nm
- Output Power: 2 Watt
- Spectral Width (FWHM): 2 nm
- Wavelength Shift with Temp.; 0.06 nm/°C

FIBER SPECIFICATIONS

- Core Diameter: 105 µm Fiber
- NA: 0.22
- Connector: FC (SMA905 Optional)
- Optional Spot Homogenizing Device Available (Inquire)

ELECTRICAL SPECIFICATIONS

- Threshold Current: 300 mA
- Operating Current: < 2.0 A
- Operating Voltage: 12 VDC
- Includes Internal Thermistor

ENVIRONMENTAL SPECIFICATIONS

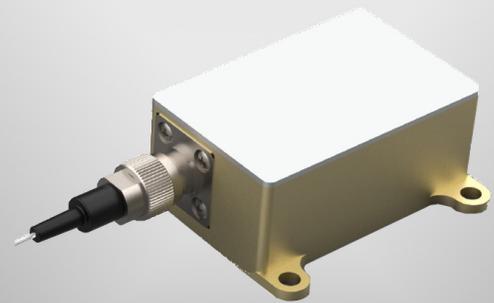
- Operating Temperature Range: -40°C to 55°C
- Storage Temperature Range: -55°C to 70°C
- Relative Humidity: 20 ~ 80%
- Lead Soldering Temperature: 260°C
- Lead Soldering Time: 10 s

PACKAGE

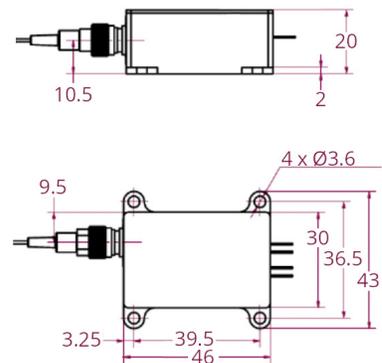
- Weight: 200 g
- Dimensions: 46.0 mm x 43.0 mm x 20.0 mm

FIBER-COUPLED GREEN LASER DIODE

FC connector standard
105µm fiber



COMPACT PACKAGE
34 mm x 20 mm x 15 mm



dimensions in mm
illustrated with external fiber (not included)