

Laser Diode



L975P1WJ



Description

Thorlabs Ø9 mm can package discreet laser diode is a compact light source suited to many application. Our lasers are fully compatible with our entire line of Laser Diode and TEC Controllers as well as our selection of Laser Diode Mounts and Collimation Solutions.

Patented Device Structure: F000038US01

Specifications

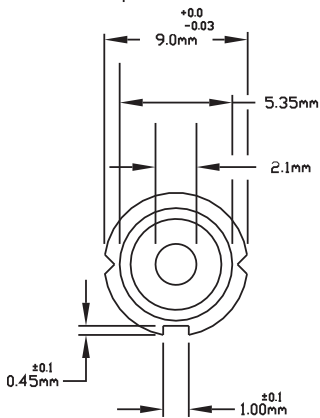
($T_c = 25\text{ }^\circ\text{C}$)

Specification	Symbol	Max
Optical Output Power, W	P_o	1
LD Reverse Voltage, V	$V_{R(LD)}$	2
PD Reverse Voltage, V	$V_{R(PD)}$	20
Operation Case Temperature, $^\circ\text{C}$	T_{op}	-20 to 50
Storage Temperature, $^\circ\text{C}$	T_{STG}	-40 to 85

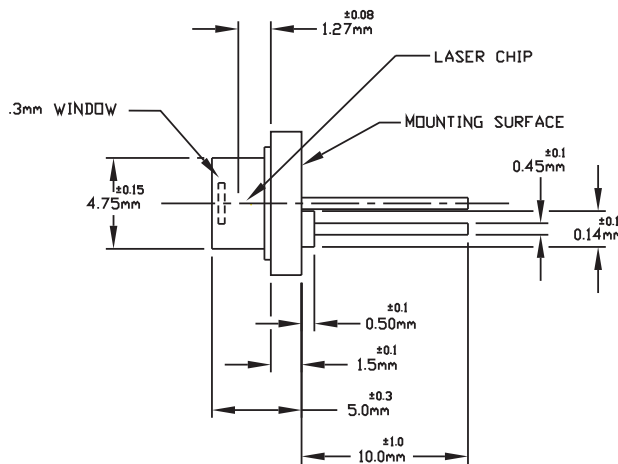
Specification	Symbol	Min	Typ	Max
Threshold Current, mA	I_{th}		400	600
Operation Current, A	I_{op}		1.5	1.8
Operating Voltage, V	V_{op}		1.5	1.8
Lasing Wavelength, nm	λ_p	965	975	985
Beam Divergence	$\theta_{//}$	3°	5°	7°
Beam Divergence	θ_{\perp}	26°	31°	36°
Slope Efficiency, mW/mA	η	0.80	0.95	
Monitor Current, mA	I_m	0.05		10

Drawings

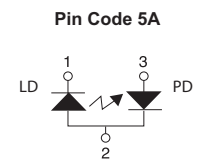
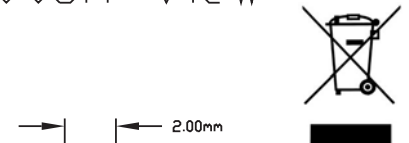
Top View



Side View



Bottom View



- Pin Description**
- 1 Laser Cathode
 - 2 Case Common
 - 3 Monitor Diode Anode

USA, Canada, & S. America
 Thorlabs, Inc.
 65 Sparta Ave
 Newton, NJ 07860, USA
 Tel: 973-300-3000
 Fax: 973-300-3600
 www.thorlabs.com
 email: feedback@thorlabs.com

Europe
 Thorlabs GmbH
 Hans-Böckler-Str. 6
 85221 Dachau, Germany
 Tel: +49-(0)8131-5956-0
 Fax: +49-(0)8131-5956-99
 www.thorlabs.com
 email: Europe@thorlabs.com

UK and Ireland
 Thorlabs LTD.
 1 Saint Thomas Place, Ely
 Cambridgeshire CB7 4EX, GB
 Tel: +44 (0)1353-654440
 Fax: +44 (0)1353-654444
 www.thorlabs.com
 email: sales.uk@thorlabs.com

Scandinavia
 Thorlabs Sweden AB
 Box 141 94
 400 20 Göteborg, Sweden
 Tel: +46-31-733-30-00
 Fax: +46-31-703-40-45
 www.thorlabs.com
 email: scandinavia@thorlabs.com

Japan and Asia
 Thorlabs Japan Inc.
 5-17-1, Ohtsuka
 Bunkyo-ku, Tokyo 112-0012, Japan
 Tel: +81-3-5977-8401
 Fax: +81-3-5977-8402
 www.thorlabs.jp
 email: sales@thorlabs.jp

