

Fiber Coupled Single Bar Diode Laser (CW)



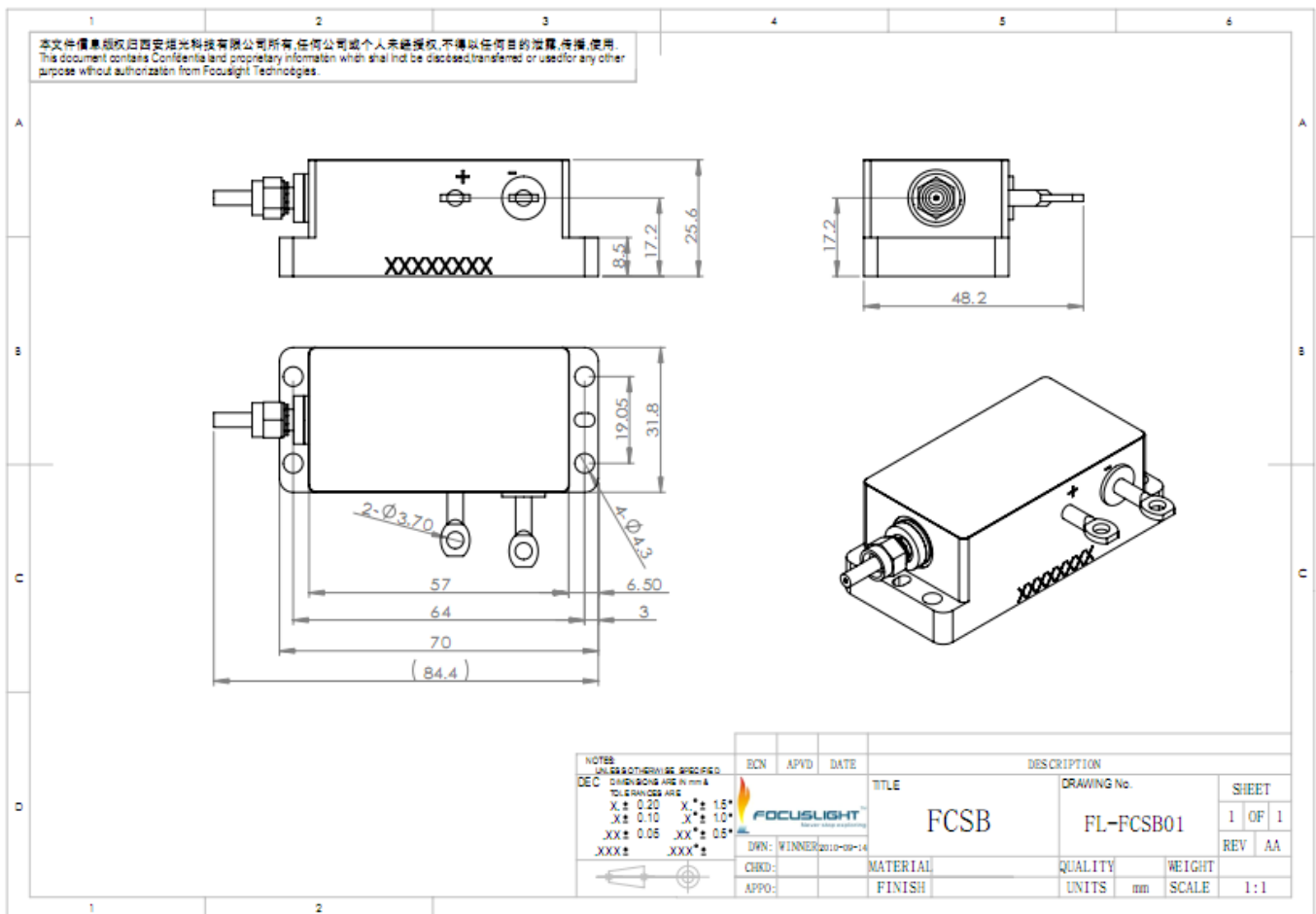
Features

- Long lifetime
- High coupling efficiency
- High power
- Parallel seam sealing

Applications

- Pumping
- Scientific research
- Medical
- Industry

Device Dimension (mm)



This structure drawing is only for reference. For any other special requirement, please feel free to contact us.

Fiber Coupled Single Bar Diode Laser (CW)

Specification

Module Type ¹	Units	FL-FCSB01-30-808	FL-FCSB01-30-915	FL-FCSB01-30-976
Optical ^{3,5}				
Center Wavelength λ	nm	808	915	976
Wavelength Tolerance	nm	± 3	± 5	± 5
Output Power ²	W	30	30	30
Spectral Width FWHM	nm	≤ 4	≤ 4	≤ 4
Spectral Width FW90%E	nm	≤ 6	≤ 6	≤ 6
Polarization Mode	-	TE	TE	TE
Wavelength Temp. Coefficient	nm/°C	~ 0.28	~ 0.32	~ 0.34
Fiber Parameters				
Fiber Numerical Aperture	NA	0.15	0.15	0.15
Fiber Core/Cladding Diameter	μm	800	800	800
Connector Type	-	SMA905	SMA905	SMA905
Fiber Length	m	1	1	1
Electrical Parameters ^{3,5}				
Operating Current I_{op}	A	≤ 40	≤ 42	≤ 42
Threshold Current I_{th}	A	≤ 10	≤ 8	≤ 7
Operating Voltage V_{op}	V	≤ 2	≤ 2	≤ 2
Slope Efficiency	W/A	≥ 0.9	≥ 0.9	≥ 0.9
Power Conversion Efficiency	%	≥ 40	≥ 35	≥ 35
Thermal Parameters				
Operating Temperature	°C	15~30	15~30	15~30
Storage Temperature ⁴	°C	0~55	0~55	0~55
Recommended Thermal Dissipation Capacity	W	≥ 80	≥ 80	≥ 80

¹Explanation for the name of Module Type: FL(abbreviation of Focuslight) –FCSB01(structure code) -30(output power) -808(center wavelength).

²Reduced lifetime if used above nominal operating conditions.

³Data at 25°C temperature, unless otherwise stated.

⁴A non-condensing environment is required for storage and operation below ambient dew point.

⁵If there are any other requirements, please contact us.



Focuslight Technologies Co., Ltd.

Add: No.17 Xinxu Road, New Industrial Park
Xi'an, Shaanxi, P.R.China 710119

Tel: +86-29 8888 0786

Fax: +86-29 8888 7075

Email: sales@focuslight.com.cn

Website: www.focuslight.com.cn

Copyright ©2009 Focuslight. All rights reserved.

