


8W 808nm 190 μ m High Power Single Emitter Laser Diode on C-mount

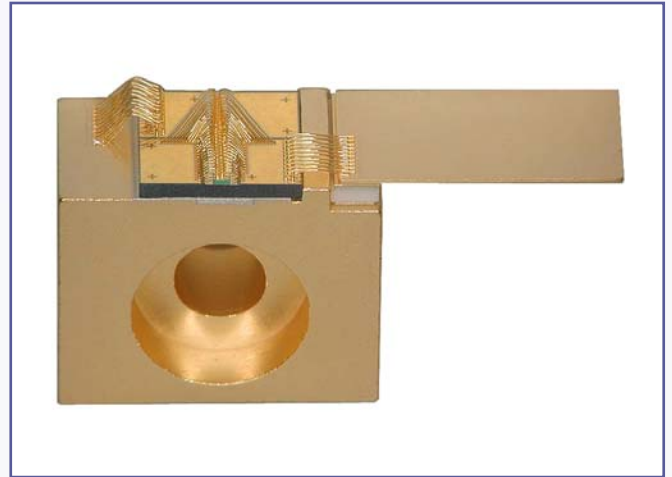
SEC8-808A/B-01

Features:

- 3.6mm x 0.4mm laser diode
- 190 μ m wide emitter
- Cu C-Mount
- 8W operating power (p-side down mounted)
- Highly reliable single quantum well MBE structure
- RoHS compliant 

Applications:

- Solid-state laser pumping
- Medical
- Analytical
- Printing



The Oclaro SEC8-808A/B-01 single emitter laser diode has been designed to provide the high output power, high coupling efficiency and high reliability required for both solid-state laser pumping and direct laser applications. The proprietary E2 front mirror passivation process, developed at our Zurich site, prevents Catastrophic Optical Damage (COD) to the laser diode facet even at extremely high output powers. The single emitter laser diodes are p-side down mounted on a submount that is attached to a C-mount.

Characteristics

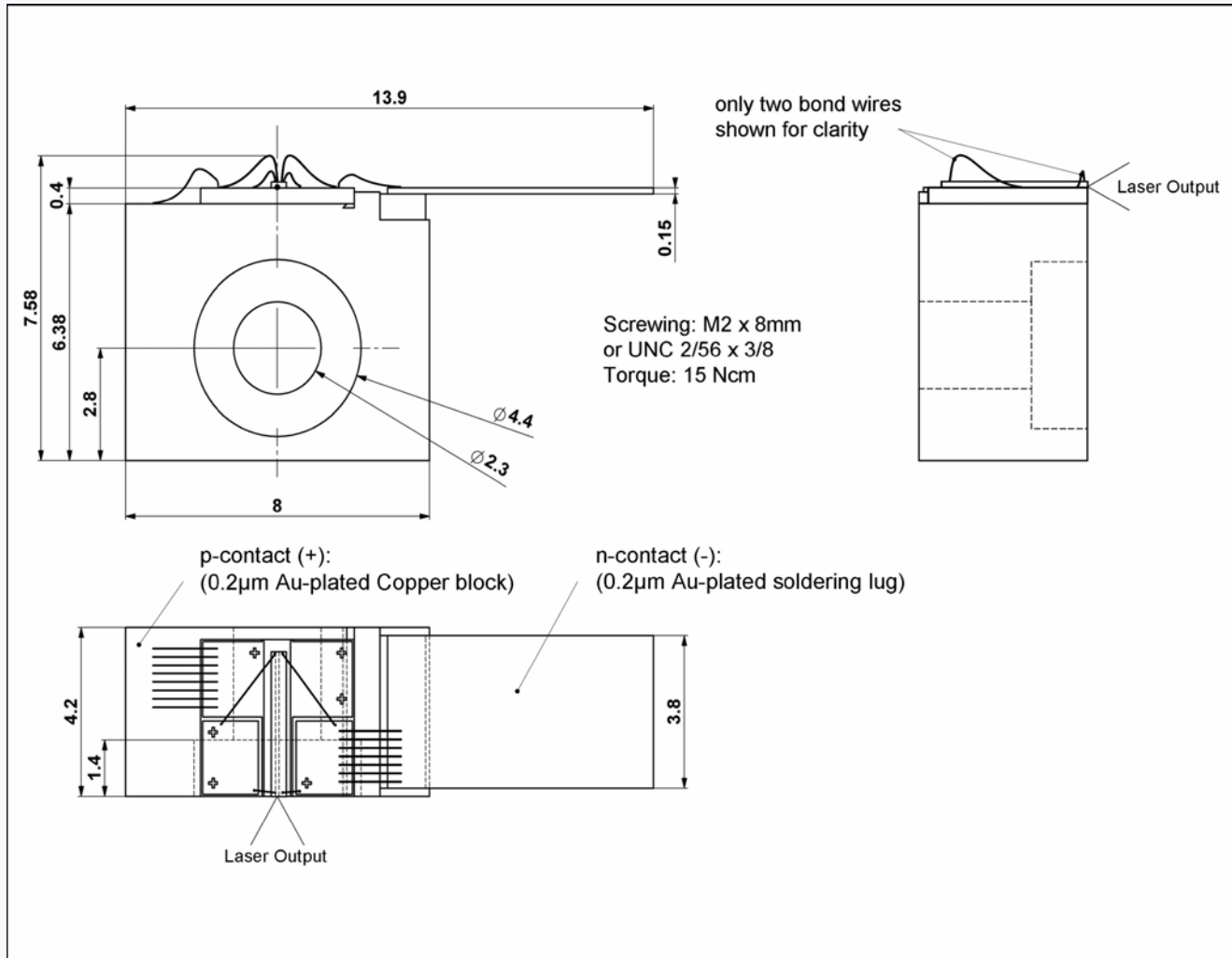
Parameter	Symbol	Typical	Unit
CW Output Power	P_{op}	8	W
Center Wavelength ^[1] SEC4-808A-01 SEC4-808B-01	λ_{cA} λ_{cB}	806 ± 3 803 ± 3	nm
Spectral Width (FWHM)	$\Delta\lambda$	2	nm
Wavelength Shift with Temperature	$d\lambda_c/dT_{op}$	0.3	nm/°C
Beam Divergence (FWHM) Parallel to Junction Perpendicular to Junction	$\theta_{//}$ θ_{\perp}	6 27	deg
Polarization	–	TE	–
Threshold Current	I_{th}	1.2	A
Slope Efficiency	$\eta D = P_{op}/(I_{op} - I_{th})$	1.1	W/A
Conversion Efficiency	$H = P_{op}/(V_{op} \times I_{op})$	50	%
Series Resistance	R_s	0.03	Ω
Operating Current	I_{op}	8	A
Operating Voltage	V_{op}	1.9	V

[1] Reduced wavelength window available on request.

Chip Dimensions

Parameter	Symbol	Typical	Unit
Chip Width	b	400	μm
Resonator Length	l	3600	μm
Chip Thickness	d	150	μm
Emitter Width	w	190	μm

Package Dimensions (mm)



RoHS Compliance



Oclaro is fully committed to environment protection and sustainable development and has set in place a comprehensive program for removing polluting and hazardous substances from all of its products. The relevant evidence of RoHS compliance is held as part of our controlled documentation for each of our compliant products. RoHS compliance parts are available to order, please refer to the ordering information section for further details.

Ordering Information

SEC8-808A-01 8W 806 ± 3 nm Single Emitter Laser Diode on C-mount
 SEC8-808B-01 8W 803 ± 3 nm Single Emitter Laser Diode on C-mount

Contact Information

Oclaro Inc.
Worldwide Headquarters
 2584 Junction Avenue
 San Jose
 CA 95134
 USA

Tel: +1 408 919 2788
 Fax: +1 408 904 5026

www.oclaro.com
sales@oclaro.com

Important Notice

Performance figures, data and any illustrative material provided in this data sheet are typical and must be specifically confirmed in writing by Oclaro before they become applicable to any particular order or contract. In accordance with the Oclaro policy of continuous improvement specifications may change without notice. The publication of information in this data sheet does not imply freedom from patent or other protective rights of Oclaro or others. Further details are available from any Oclaro sales representative.



BH12915 Rev 3.1 July 2009
 ©Oclaro 2009. Oclaro the Oclaro, Inc. logo, and all other Oclaro, Inc product names and slogans are trademarks or registered trademarks of Oclaro, Inc. in the U.S.A. or other countries. Products described in this datasheet may be covered by one or more patents in the U.S.A. and abroad. Information in this datasheet is subject to change without notice.