

LIMO32-F200-DL880-LM

High Power Diode Laser System for Pump Applications

LIMO

Lissotschenko Mikrooptik



Your product benefits:

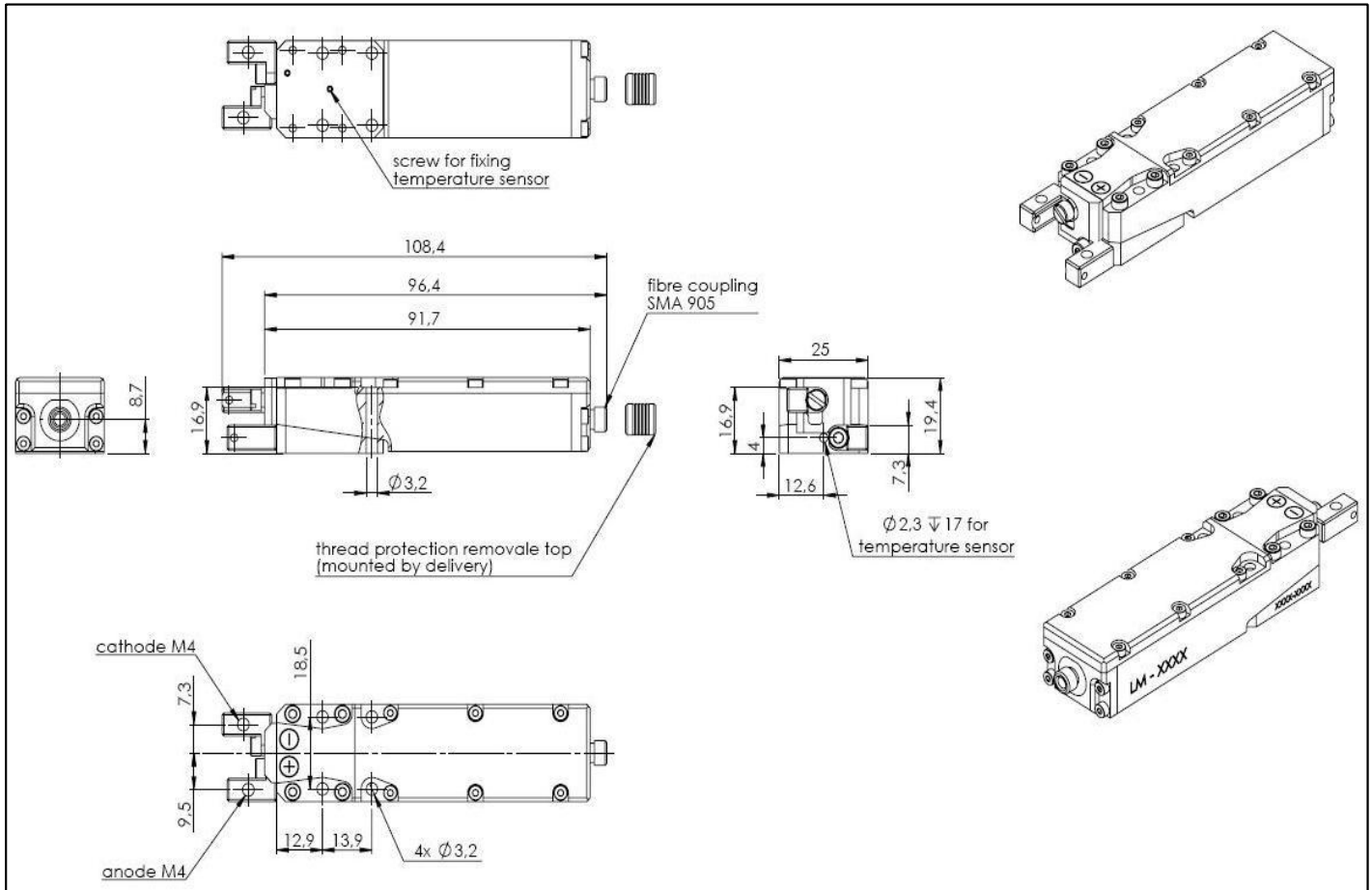
- High brightness
- Plug and play fiber connector
- Compact housing
- High e/o efficiency
- Hermetically sealed housing

| Photonics Solutions |

Laser Module	Unit	Value	Unit	Value
Optical Data		Fiber Connection Data		
CW - nominal output power	W	32	Fiber core diameter	μm 200
Center wavelength	nm	880	Numerical aperture	0,22
Wavelength tolerance (±)	nm	3 (2)*	Fiber - optic connector	SMA905
Spectral width (FWHM)	nm	4	Cladding mode (max)	% Not specified
Wavelength temperature drift	nm/K	0,35		
*optional				
Thermal Operation Conditions		Package		
Nominal diode heat sink temperature	°C	25	Dimensions	mm ³ 109x25x20
Diode heat sink operation temperature	°C	+15...30	Weight basic package	kg 0,3
Minimum heat sink capacity	W	80	Storage temperature	°C -20...+60
Electrical Data				
Typical operation current	A	50		
Max. operation current	A	60		
Typical threshold current	A	10		
Typical operation voltage	V	2		
Typical slope	W/A	0,8		
Typical O/E efficiency	%	40		
Additional Features		Monitor Diode		
Pilot Beam				
Output power (min)	mW	Not available	Operation voltage	V Not available
Wavelength	nm	Not available	Output signal (min)	V Not available
Voltage	V	Not available	Output signal (max)	V Not available
Current (max)	mA	Not available		
Fiber Detection Sensor (PNP)		Other Features		
Voltage	V	Not available	Temperature sensors	NTC & PT100
Current (max)	mA	Not available	Wavelength stabilization	Not available
Protection Filter				
High reflection bandwidth	nm	1050-1130 nm		
(>99.0% s+p pol.)				

LIMO32-F200-DL880-LM

High Power Diode Laser System for Pump Applications



LIMO32-F200-DL880-LM with thermoelectric cooling

RoHS compliant
2002/95/EG

All data provided are typically measured with a diode heat sink temperature of 25 °C. All measurements are made with a LIMO reference fiber 200 µm, length 1.5 m, and non AR coated.

Copyright © 2012 LIMO GmbH. All rights reserved. All LIMO products are patent pending. Subject to change without notice.

Version August 01, 2012