

# High Power Single Element Laser

## High Power 100 $\mu\text{m}$ Stripe Lasers

Princeton Lightwave offers a series of high power broad contact stripe lasers for long wavelength (1400 to 1850 nm) applications. These lasers feature a proprietary MQW laser structure that yields exceptional high power and reliability. Applications include solid state laser and fiber laser pumping. Lasers are available mounted on an industry-standard C block or as chip-on-submount.

### Features:

- High Power 100 mm aperture emitter
  - 2.2 W @ 1450 nm
  - 1.5 W @ 1850 nm
- High Reliability > 10<sup>5</sup> hrs

### Applications:

- Solid State Laser Pumping
- Fiber Laser Pumping
- Medical Instrumentation
- Defense/Aerospace

## Key Product Specifications Typical Values, T=20° C, BOL

Parameter	1450 nm	1850 nm	units
Maximum CW Output Power	2.2	1.5	W
Forward Voltage	1.5	1.6	V
Threshold Current	0.8	0.7	A
Slope Efficiency	0.45	0.3	W/A

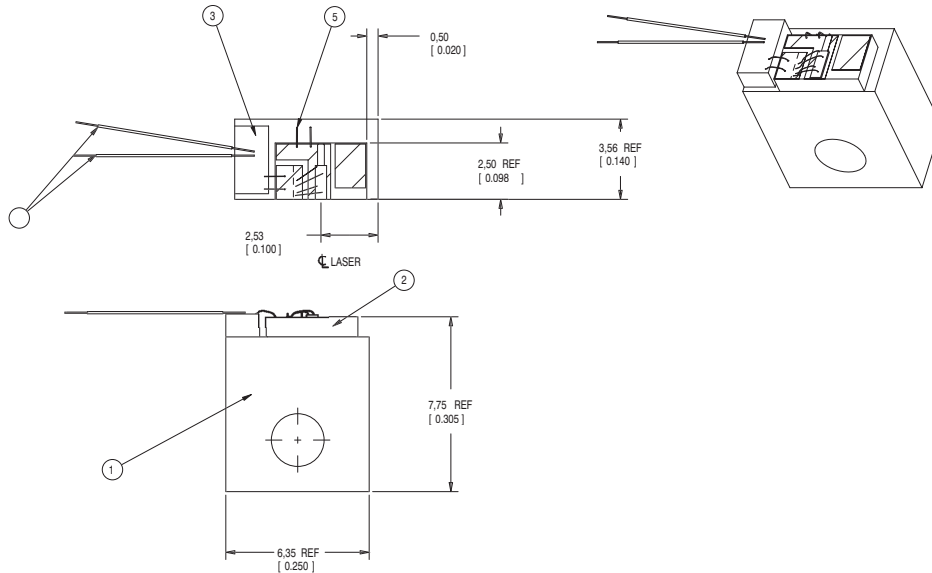
Princeton Lightwave, Inc.  
2555 Route 130 South Suite 1, Cranbury, NJ 08512  
Tel: 609.495.2600  
Fax: 609.395.9114  
email: sales@princetonlightwave.com  
website: www.princetonlightwave.com

Princeton Lightwave, Inc. reserves the right to make changes to the product(s) and information contained herein without notice. No liability is assumed by Princeton Lightwave as a result of the use or application of this product.

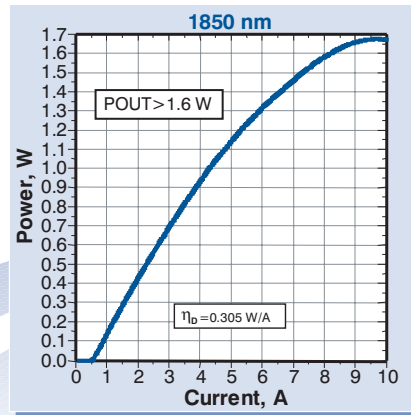
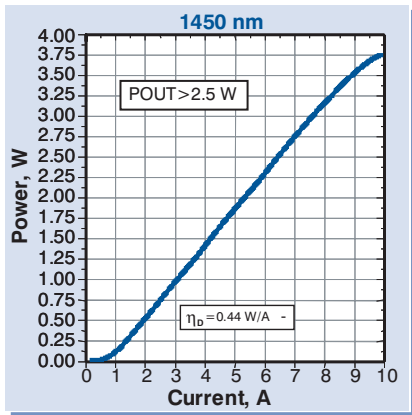
Copyright 2005 Princeton Lightwave, Inc.  
All rights reserved.



## Mechanical Drawing



## Graphs



Princeton Lightwave, Inc.  
 2555 Route 130 South Suite 1, Cranbury, NJ 08512  
 Tel: 609.495.2600  
 Fax: 609.395.9114  
 email: sales@princetonlightwave.com  
 website: www.princetonlightwave.com

Princeton Lightwave, Inc. reserves the right to make changes to the product(s) and information contained herein without notice. No liability is assumed by Princeton Lightwave as a result of the use or application of this product.

Copyright 2005 Princeton Lightwave, Inc.  
 All rights reserved.

