

LLD-0852 Low-Noise Collimated Diode Laser System

Laserglow Part Number: J8520B1FX



Similar Products:

For information about the other lasers in this product family visit:

<http://www.laserglow.com/J85>

Ordering:

Order Online Now or Request Quote:

<http://www.laserglow.com/J8520B1FX>

Series Specifications:

Nominal Wavelength	852 nm
Output Type	CW
Laser Source Type	Diode

Overview:

The LLD-0852 Series of Low-Noise Collimated Diode Lasers are ideal for applications requiring less than 1% noise and output power levels from 100 mW to 2 W. These 852 nm NIR lasers maintain a high level of long-term output power stability and long operating lifetime at an aggressively competitive cost.

These lasers are commonly used for fluorescence excitation, PIV, Raman Spectroscopy, and a broad spectrum of other applications. The driver is available as a complete FDA-compliant system or as an O.E.M. component with significantly reduced dimensions.

Key Features:

- <1% optical noise (1-20 MHz)
- Air cooled – no need for water cooling or external chiller
- Lightweight, compact design
- Efficient DPSS technology runs on standard AC power (85 – 264 V, 47 – 63 Hz)
- >10,000 hours continuous maintenance-free operating life
- FDA CDRH Compliant Class IIIb / Class IV enclosure
- 48-hour replacement coverage available for an additional fee on specific models

Package Includes:

- Laser Head
- Driver/Power Supply
- Power Cable
- BNC Connector (LabSpec models only)
- Keys, Safety Interlock
- Hard-shell Carrying Case

Specifications:

This spec sheet has been generated specifically for part number J8520B1FX, per your request, and data for the entire series is also displayed for your reference. The specs which are specific to J8520B1FX have been highlighted below in **red + bold**.

Laser Form Factor	R
Output Power (mW)	>100, >200, >500, >1000, >2000
Output Power Stability (%RMS/4h)	<1 , <3, <5
FDA Safety Class	IIIb, IV
Central Wavelength (nm)	852
Wavelength Tolerance (+/- nm)	5
Divergence (mrad, full angle)	<3.0
Beam Dimensions (mm, 1/e ²)	5x8
Transverse Mode	Near TE00
Longitudinal Modes	Multiple
Warm-up Time (minutes)	5
Optical Noise Amplitude (%RMS/1-20 MHz)	<1
M ²	<20.0
Polarization Ratio	>50:1
Beam Pointing Stability (mrad)	<0.05
Operating Temperature Range (°C)	+10 to +35
Storage Temperature Range (°C)	-10 to +50
Max. TTL Modulation Freq. (Hz)	500
Modulation Input Signal	0-5 VDC
Max. Power Input Duty Cycle	100%
Cooling Method	TEC
Standard Warranty (months)	12
MTTF (operational hours)	10000
Weight of Laser Head (kg)	0.6
Beam Height from Base Plate (mm)	24.8

CW: All specifications are based on performance at full output power and after the specified warmup period. Output characteristics may change if the laser is run at a different power level.

Q-Switched: Specifications are based on the laser pulsing at the specified design frequency. Output characteristics may change if the laser is run at a different frequency.

Specifications Page 2:

This spec sheet has been generated specifically for part number J8520B1FX, per your request, and data for the entire series is also displayed for your reference. The specs which are specific to J8520B1FX have been highlighted below in **red + bold**.


Laser Form Factor	R
Laser Head Dimensions (mm)	140.7 (l) x 73 (w) x 46.2 (h)


CW: All specifications are based on performance at full output power and after the specified warmup period. Output characteristics may change if the laser is run at a different power level.

Q-Switched: Specifications are based on the laser pulsing at the specified design frequency. Output characteristics may change if the laser is run at a different frequency.

Power Supply Options:

These lasers are available with several different power supply options. The model that you have selected is highlighted below, and any other options are shown for easy reference.

	Laser Form Factor:	R
	Power Supply Model	OR
	Input Power	85v to 264v
	Power Supply Weight (kg)	0.2
	Dimensions (mm)	100 (l) x 60 (w) x 56 (h)

	Laser Form Factor:	R
	Power Supply Model	SR
	Input Power	85v to 264v
	Power Supply Weight (kg)	1.2
	Dimensions (mm)	133 (l) x 130 (w) x 65 (h)

*Power supply may not be exactly as shown, see dimensional drawings on next 2 pages.

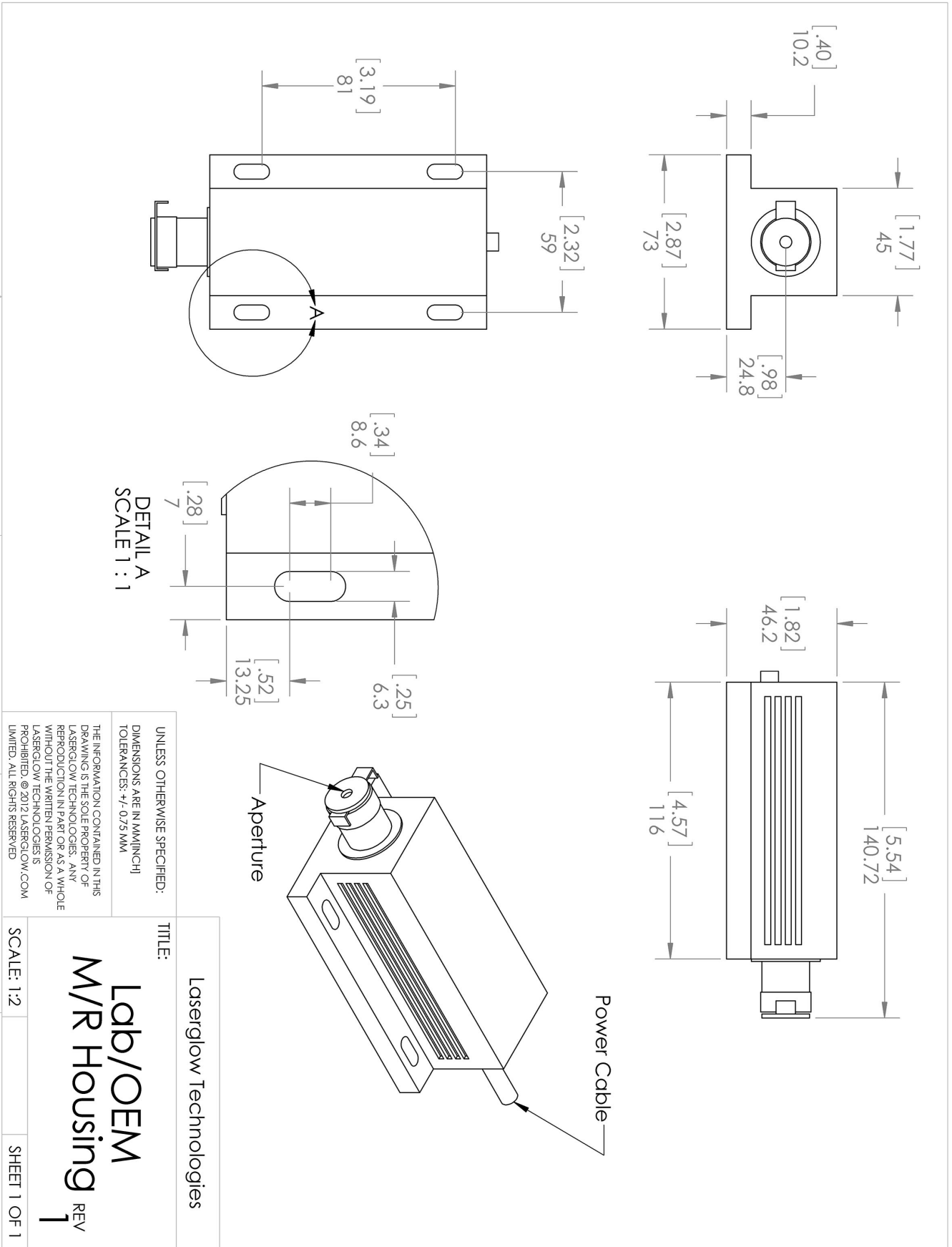
*Dimensions for fiber-integrated (l_) include laser head packaged inside.

Regulatory Classification:

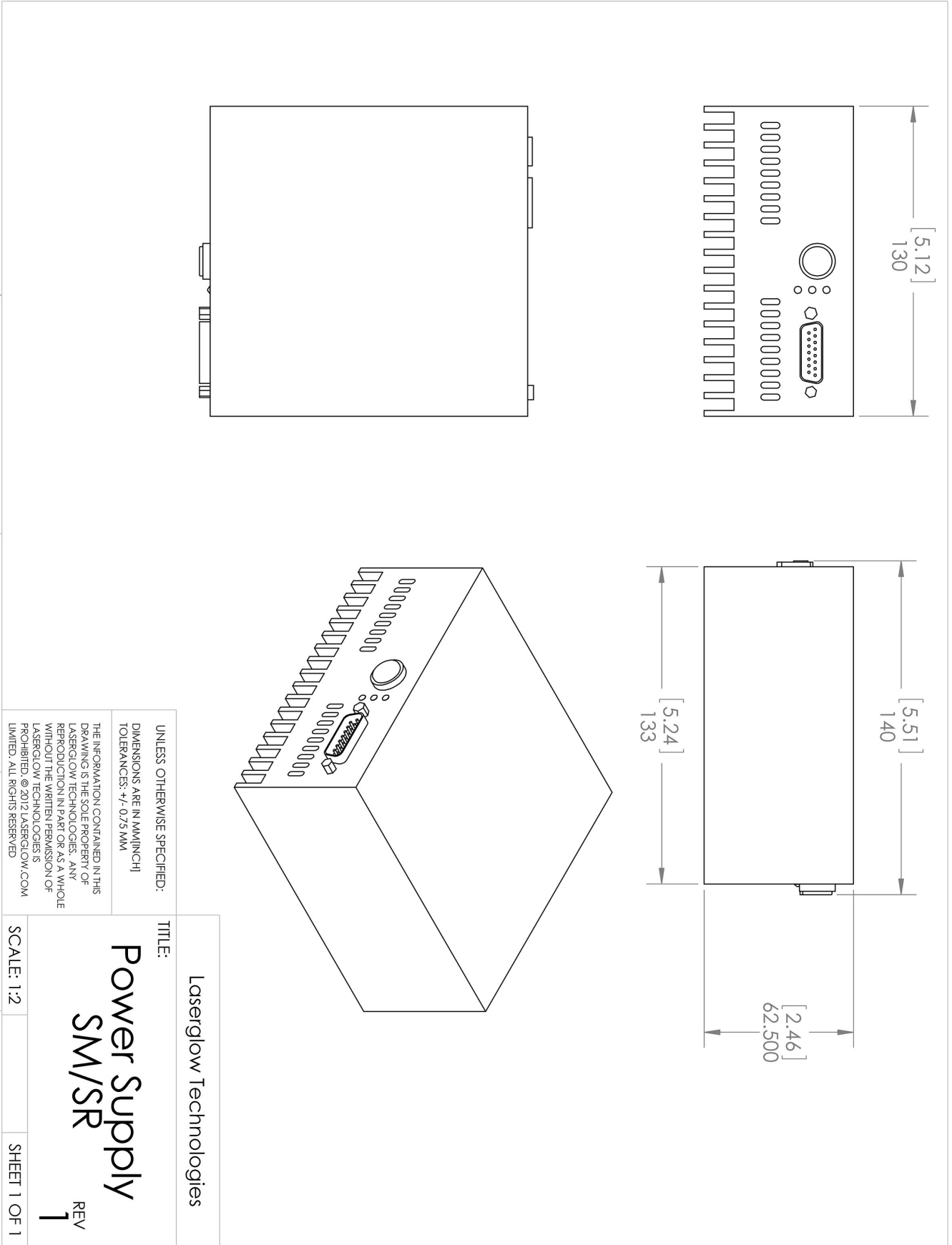
The model you have selected (J8520B1FX) requires the following safety label(s):



Dimensional Drawing - Laser Form Factor: R:





Dimensional Drawing - Power Supply Form Factor: SR:



Accessories:

The most popular accessories for model J8520B1FX are shown below. For additional details regarding these or other accessories please see our website or contact us directly.

Part Number	Description	
 AGFKTP59X	LSG-KTP-NF-6 Fit-Over Safety Goggles 532/808/1064nm Output: OD 6+ at 190-534/740-1064 nm CE Certified Full Details: www.laserglow.com/AGF	
 AFF2002XX	AFF2002XX Armored Fiber With FC/PC Connectors 200um Core Multimode 2m length Full Details: www.laserglow.com/AFF	
 AFS2002XX	AFS2002XX Armored Fiber With SMA 905 Connectors 200um Core Multimode 2 m length Full Details: www.laserglow.com/AFS	
 ACFNIRHXA	ACFNIRHXA FC/PC Fiber Coupler/Collimator for IR wavelengths (700 to 1000 nm) (installed and aligned) 11mm diameter input lens Full Details: www.laserglow.com/ACF	
 ACSNIRHXA	ACSNIRHXA SMA-905 Fiber Coupler/Collimator for IR wavelengths (700 to 1000nm) (installed and aligned) 11mm diameter input lens Full Details: www.laserglow.com/ACS	
 ACALBMXXX	Carrying Case-102 Holds Lab/OEM M, R and S size, standard or LabSpec laser Full Details: www.laserglow.com/ACA	Included With Laser

FOR MORE INFORMATION PLEASE CONTACT:

LASERGLOW TECHNOLOGIES
873 St. Clair Ave West, Toronto, ON, Canada M6C1C4
Tel. (416) 729-7976 Fax (480) 247-4864
sales@laserglow.com www.laserglow.com

E&OE: Data included in this sheet may be subject to change without notice.

Please confirm critical specifications with our staff prior to ordering.