

# FLL-1470-15W-F200

## High Power Fiber-coupled Diode Laser



**Your product benefits:**

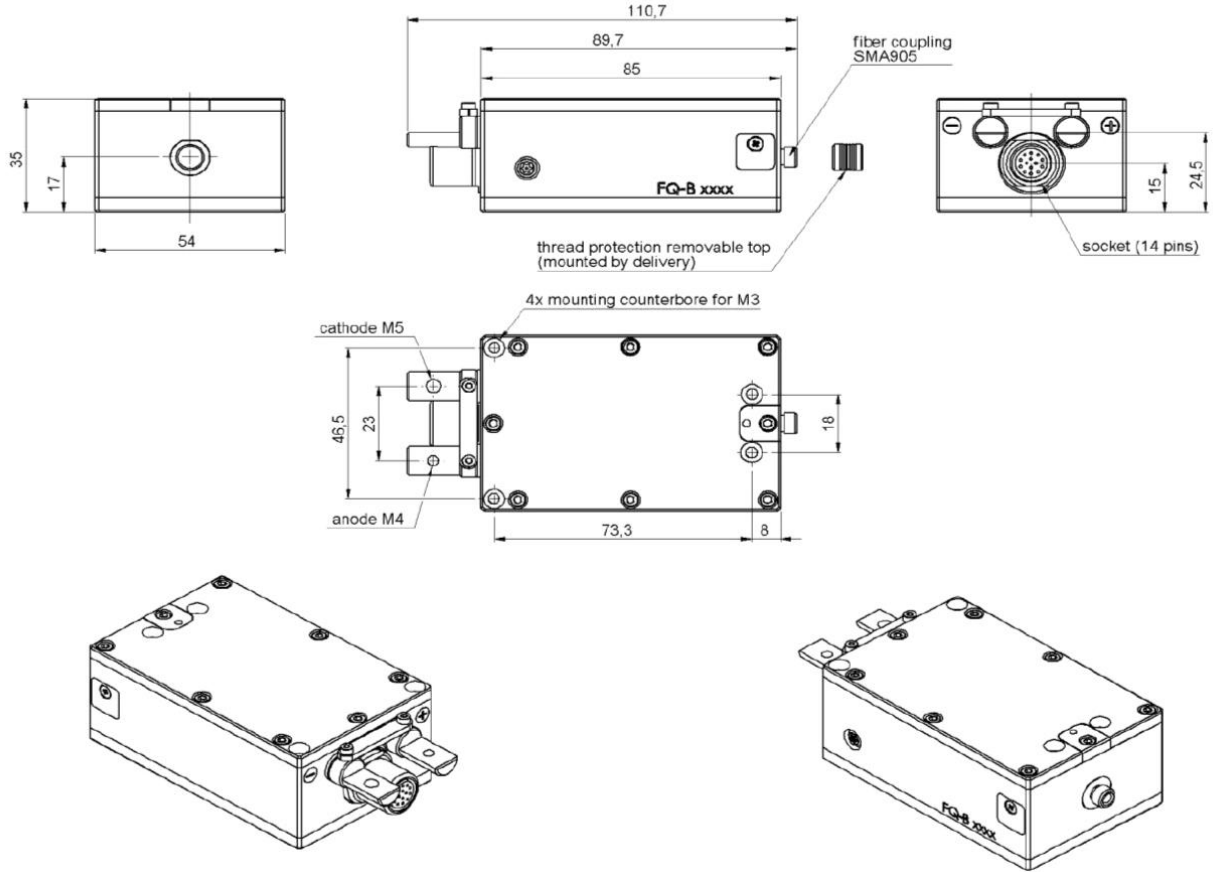
- Plug and play fiber connector
- Compact housing
- High E/O efficiency
- Hermetically sealed housing
- 2 temperature sensors (NTC/PT100)
- Exchangeable protection window

| Medical Solutions |

Laser Module	Unit	Value	Unit	Value
<b>Optical Data</b>			<b>Fiber Connection Data</b>	
CW - nominal output power	W	15	Fiber core diameter	µm 200
Center wavelength	nm	1470	Numerical aperture	0,22
Wavelength tolerance (±)	nm	20	Fiber - optic connector	SMA
Spectral width (FWHM)	nm	12	Cladding mode (max)	% not specified
Wavelength temperature drift	nm/K	0,35		
<b>Thermal Operation Conditions</b>			<b>Package</b>	
Nominal diode heat sink temperature	°C	25	Dimensions	mm³ 111x54x35
Diode heat sink operation temperature	°C	+15...30	Weight basic package	kg 0,6
Minimum heat sink capacity	W	100	Storage temperature	°C -20...+60
<b>Electrical Data</b>				
Max. operation current start of life	A	55		
Max. operation current end of life	A	65		
Typical threshold current	A	10		
Typical operation voltage	V	2		
Typical slope	W/A	0,37		
Typical O/E efficiency	%	18		

Additional Features	Unit	Value	Unit	Value
<b>Pilot Beam</b>			<b>2 x monitor diode</b>	
Output power (min)	mW	5	Operation voltage	V 5
Wavelength	nm	635	Output signal (min)	V 0
Voltage	V	5	Output signal (max)	V 2,5
Current (max)	mA	120		
<b>2 x fiber detection sensor (PNP)</b>			<b>Other Features</b>	
Voltage	V	12	Temperature sensors	NTC & PT100
Current (max)	mA	100	Exchangeable protection window	Yes

# Housing Drawing



Housing prepared for cooling with an external thermo-electric cooler.