



**LASER DIODE
FCLD-1550-100S-BTF**

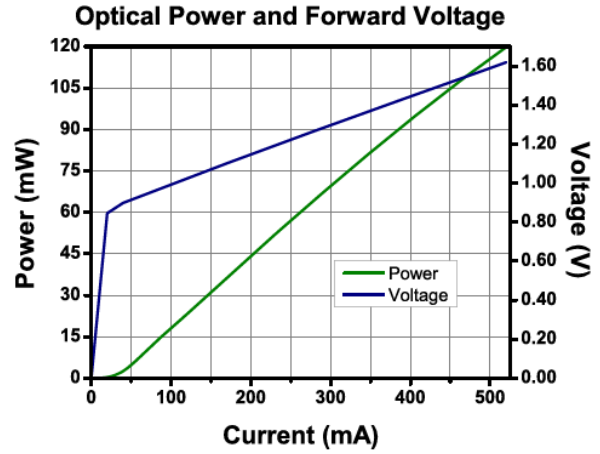
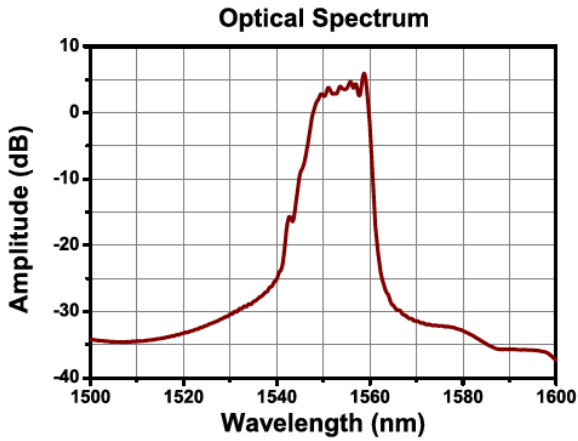
FCLD-1550-100S-BTF is a high power, C-band Fabry-Perot Laser diode based on state-of-the-art, quantum-well epitaxial layer growth and reliable ridge waveguide structure. This butterfly-packaged laser is coupled to 1.5m of FC/APC connectorized fiber.

The **FCLD-1550-100S-BTF** uses non-polarization maintaining single mode fiber. An integrated thermistor allows the laser to be temperature controlled, thus stabilizing the lasing wavelength and power.

Specification (T = 25°C)

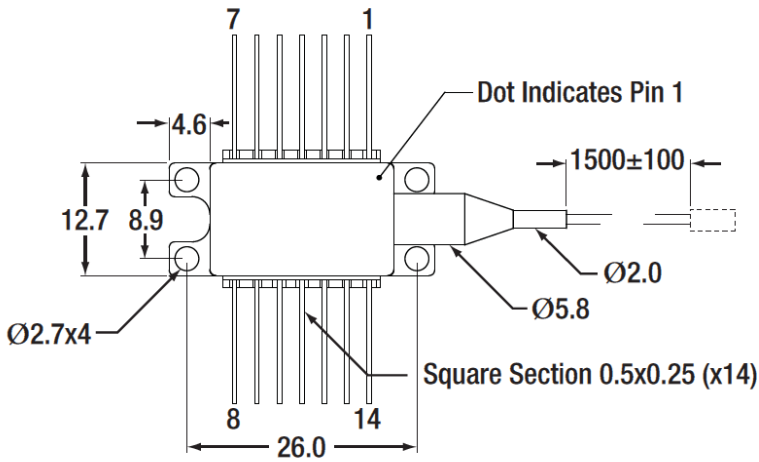
Parameter	Symbol	Min	Typ	Max	Unit
Wavelength	λ	1530	1550	1570	nm
Forward current	I_f	-	400	500	mA
Optical output power	P_{out}	80	100		mW
Spectral Bandwidth	$\Delta\lambda$		10	20	nm
Threshold Current	I_{th}		35	55	mA
Slope Efficiency	$\Delta P/\Delta I$	0.2	0.3		W/A
Forward Voltage	V_f		1.4	1.8	V
TEC Operation (Typical/Max T_{case} 25°C/70°C)					
TEC Current	I_{TEC}		0.18	1.5	A
TEC Voltage	V_{TEC}		0.5	3.5	V
Thermistor Resistance	R_{th}		10		kΩ

TYPICAL PERFORMANCE



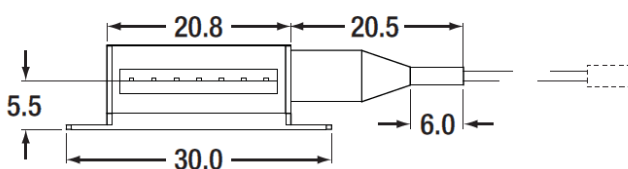
PACKAGE DRAWING

Butterfly Top View

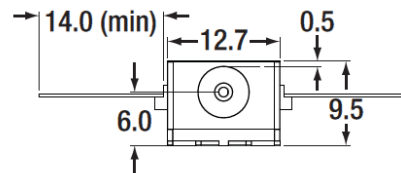


PIN IDENTIFICATION	
1. TEC +	14. TEC -
2. Thermistor	13. Case
3. NC	12. NC
4. NC	11. Dev Cathode
5. Thermistor	10. Dev Anode
6. NC	9. NC
7. NC	8. NC

Butterfly Side View



Butterfly Front View



All Dimensions in mm