

Laser Diode



L658P040



Description

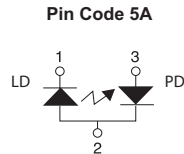
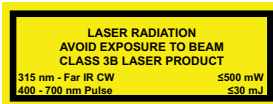
Thorlabs Ø5.6 mm, TO-18 can package discrete laser diode is a compact light source suited to many applications. Our lasers are fully compatible with our entire line of Laser Diode and TEC Controllers as well as our selection of Laser Diode Mounts and Collimation Solutions.

Specifications

($P_o = 40 \text{ mW}$, $T_c = 25 \text{ }^\circ\text{C}$)

Specification	Symbol	Max
LD Reverse Voltage, V	$V_{R(LD)}$	2
PD Reverse Voltage, V	$V_{R(PD)}$	30
Operation Case Temperature, $^\circ\text{C}$	T_{op}	-10 to 70
Storage Temperature, $^\circ\text{C}$	T_{STG}	-40 to 85

Specification	Symbol	Min	Typ	Max
Wavelength, nm	λ_p	648	658	668
Output Power, mW	P_o	-	40	42
Threshold Current, mA	I_{th}	-	35	55
Operation Current, mA	I_{op}	-	75	110
Operating Voltage, V	V_{op}	-	2.2	2.8
Beam Divergence, deg	$\theta_{//}$	5	10	12
	θ_{\perp}	16	20	22
Slope Efficiency, mW/mA	η	0.5	0.8	1.2
Monitor Current, mA	I_m	-	0.3	0.5
Astigmatism, μm	A_s	-	-	15
Beam Angle Deviation, deg	$\theta_{//}$	-3	-	3
	θ_{\perp}	-3	-	3
Emission Point Accuracy, μm	ΔX	-80	-	80
	ΔY	-80	-	80
	ΔZ	-80	-	80

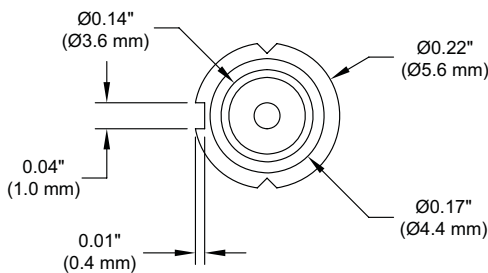


- Pin Description
- 1 Laser Cathode
 - 2 Case Common
 - 3 Monitor Diode Anode

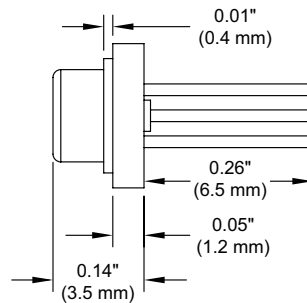
Drawings



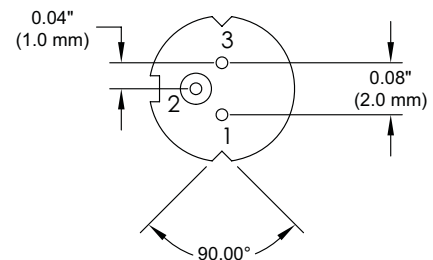
Top View



Side View



Bottom View



USA, Canada, and South America

Thorlabs, Inc.
435 Route 206
Newton, NJ 07860, USA

Tel: 973-579-7227
Fax: 973-300-3600

Europe

Thorlabs GmbH
85221 Dachau, Germany
Tel: +49-(0)8131-5956-0

Scandinavia

Thorlabs Sweden AB
400 20 Göteborg, Sweden
Tel: +46-31-733-30-00

UK and Ireland

Thorlabs LTD.
Cambridgeshire CB7 4EX, GB
Tel: +44 (0)1353-654440

Japan and Asia

Thorlabs Japan Inc.
Bunkyo-ku, Tokyo 112-0012, Japan
Tel: +81-3-5979-8889

France

Thorlabs SAS
78600 Maisons-Laffitte, France
Tel: +33 (0) 970 444 844

China

Thorlabs China
Shanghai, China
Tel: +86 (0)21-32513486

