

Expander Laser, red, 635nm, 2mW

E635-2-3-15(20x120)

Order Number: 70106589

Main Parameters (*)	min	typ	max	Unit
Wavelength		635		nm
Optical Output Power		2		mW
Operating Voltage	2.7	3	3.3	V DC
Operating Current	25	50	75	mA
Operating Temperature	-20		50	°C
Storage Temperature	-40		80	°C

Technical Parameters

Lifetime	>5000h
RoHS	yes

Optical Parameters

Beam Shape	expander
Laser Class	2M
Divergence	B - 0.3mrad
Beam Diameter	15mm
Size of Laserdot	<17mm@10m
Operating Distance	150m
Optics	glass lens AR coated
Laser technology	Single Mode Diode
Focus	fixed (10.0m)

Electrical Parameters

Potential of Housing	isolated
Power Supply	LFNT-3

Mechanical Parameters

Size	Ø20x120mm
Material	aluminium
Cable length	100mm
Wire type	26AWG, 0,14mm ²
Output Aperture	15mm
Weight	84g

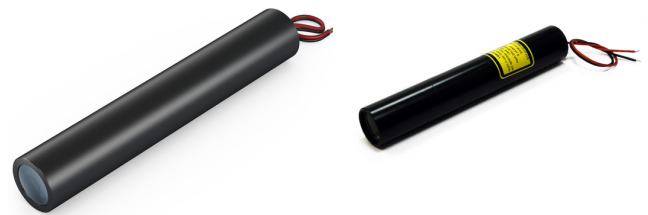
(*) Over the complete operating temperature range

Features




- Operating Voltage 3V DC
- Laser Class 2M
- Glas lenses anti reflex coated
- Uniform illumination
- Small laser head

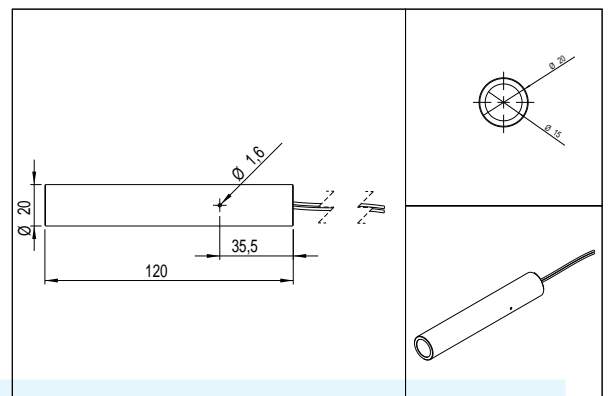
Picture



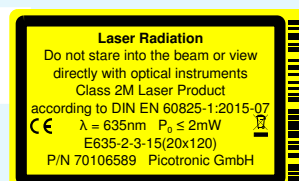
Cable Colors

Ground		black	GND
Positive		red	2.7 - 3.3, typ 3V DC

Drawing



Safety Label



Revision

REV 0 | 11-JAN-2012