

## Cross laser, red, 635nm, 90°, 5mW

CB635-5-3(16x45)

Order Number: 70107098

Main Parameters (*)	min	typ	max	Unit
Wavelength		635		nm
Optical Output Power		5		mW
Operating Voltage	2.7	3	3.3	V DC
Operating Current	20	50	85	mA
Operating Temperature	-20		50	°C
Storage Temperature	-40		80	°C

### Technical Parameters

Lifetime	>5000h
RoHS	yes

### Optical Parameters

Beam Shape	Cross
Laser Class	1
Divergence	B - 0.3mrad
Fan Angle	90°
Line Thickness	<1.5mm@3m
Operating Distance	3m
Optics	glass lens AR coated
Laser technology	Single Mode Diode
Focus	fixed (3000mm)
Verticality	< ±0.5°

### Electrical Parameters

Potential of Housing	isolated
----------------------	----------

### Mechanical Parameters

Size	Ø16x45mm
Material	aluminium
Cable length	100mm
Wire type	26AWG, 0,14mm <sup>2</sup>
Output Aperture	6.8mm
Housing Color	black
Weight	23.5g
Stripping of wire	5mm

(\*) Over the complete operating temperature range

### Features





- Fan angle 90°
- Glas lenses anti reflex coated
- Operating Voltage 3V DC
- Laser Class 1
- Uniform line thickness

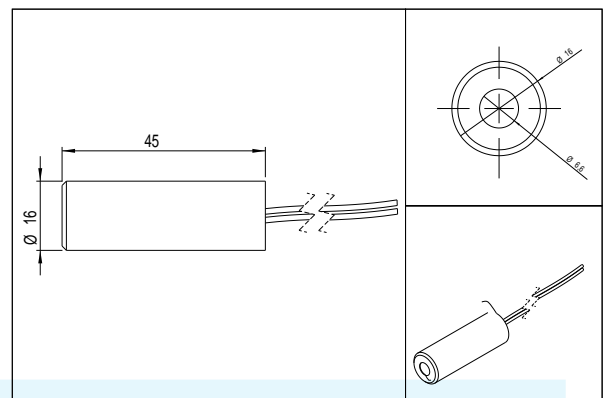
### Picture



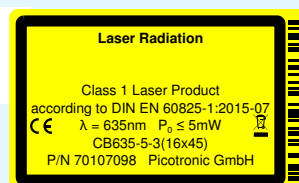
### Cable Colors

Ground		black	GND
Positive		red	2.7 - 3.3, typ 3V DC

### Drawing



### Safety Label



### Revision

REV 1 | 21-SEP-2012