

## Dot laser, red, 650nm, 0.1mW

CSDI650-0.1-5-F100

Order Number: 70103946

Main Parameters (*)	min	typ	max	Unit
Wavelength		650		nm
Optical Output Power		0.1		mW
Operating Voltage	4.5	5	5.5	V DC
Operating Current	20	40	60	mA
Operating Temperature	-20		50	°C
Storage Temperature	-40		80	°C

### Technical Parameters

Lifetime	>5000h
RoHS	yes

### Optical Parameters

Beam Shape	Dot
Laser Class	1
Divergence	l - 1.5mrad
Size of Laserdot	<0.3mm@0.1m
Operating Distance	0.1m
Optics	glass lens AR coated
Laser technology	diode
Focus	fixed (100mm)

### Electrical Parameters

Potential of Housing	isolated
Power Supply	LFNT-5

### Mechanical Parameters

Size	Ø8x21mm
Material	aluminium
Cable length	100mm
Output Aperture	2.5mm
Housing Color	black
Weight	2.5g

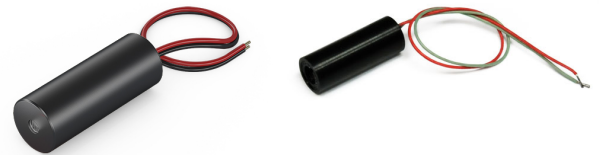
(\*) Over the complete operating temperature range

### Features





- Operating Voltage 5V DC
- Laser Class 1
- Compact size
- Fixed focus
- Image processing

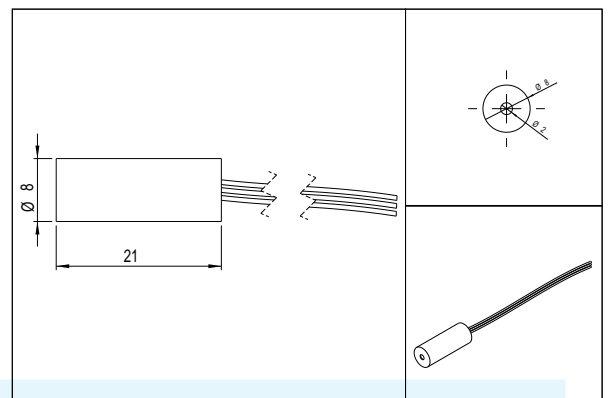
### Picture



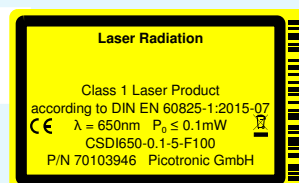
### Cable Colors

Ground		blue	GND
Positive		red	4.5 - 5.5, typ 5V DC

### Drawing



### Safety Label



### Revision

REV 5 | 28-OCT-2015