

Line laser, red, 650nm, 90°, 3mW

LB650-3-3(16x45)

Order Number: 70103083

| Main Parameters (*) | min | typ | max | Unit |
|-----------------------|-----|-----|-----|------|
| Wavelength | | 650 | | nm |
| Optical Output Power | | 3 | | mW |
| Operating Voltage | 2.7 | 3 | 3.3 | V DC |
| Operating Current | 30 | 40 | 50 | mA |
| Operating Temperature | -20 | | 50 | °C |
| Storage Temperature | -40 | | 80 | °C |

Technical Parameters

| | |
|----------|--------|
| Lifetime | >5000h |
| RoHS | yes |

Optical Parameters

| | |
|--------------------|----------------------|
| Beam Shape | Line |
| Laser Class | 1 |
| Divergence | B - 0.3mrad |
| Fan Angle | 90° |
| Line Thickness | <1.5mm@2m |
| Operating Distance | 2m |
| Optics | glass lens AR coated |
| Laser technology | diode |
| Focus | fixed (2000mm) |
| Camber | Less than 1mm |

Electrical Parameters

| | |
|----------------------|----------|
| Potential of Housing | isolated |
| Power Supply | LFNT-3 |

Mechanical Parameters

| | |
|---------------|----------------------------|
| Size | Ø16x45mm |
| Material | aluminium |
| Cable length | 100mm |
| Wire type | 26AWG, 0,14mm ² |
| Housing Color | black |
| Weight | 23.5g |

(*) Over the complete operating temperature range



Features



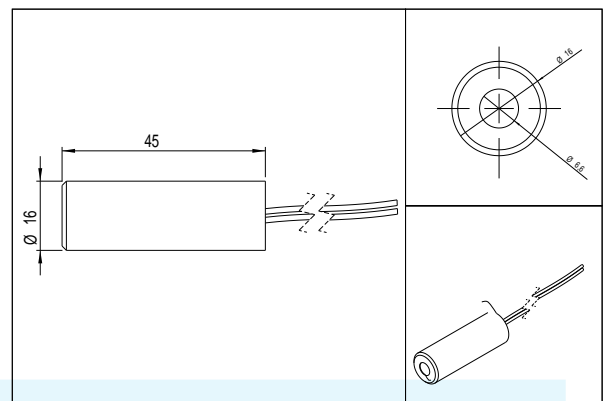
Picture



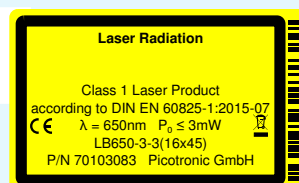
Cable Colors

| | | | |
|----------|---|-------|----------------------|
| Ground |  | black | GND |
| Positive |  | red | 2.7 - 3.3, typ 3V DC |

Drawing



Safety Label



Revision

REV 5 | 23-APR-2013