

## Expander Laser, red, 650nm, 8mW

E650-8-3-20(24x96)

Order Number: 70102512

Main Parameters (*)	min	typ	max	Unit
Wavelength		650		nm
Optical Output Power		8		mW
Operating Voltage	2.7	3	3.3	V DC
Operating Current	35	65	100	mA
Operating Temperature	-20		50	°C
Storage Temperature	-40		80	°C

### Technical Parameters

Lifetime	>5000h
RoHS	yes

### Optical Parameters

Beam Shape	expander
Laser Class	3B
Operating Distance	80m
Optics	glass lens AR coated
Laser technology	diode
Focus	adjustable

### Electrical Parameters

Potential of Housing	isolated
Power Supply	LFNT-3

### Mechanical Parameters

Size	Ø24x96mm
Material	aluminium
Cable length	100mm
Wire type	26AWG, 0,14mm <sup>2</sup>
Output Aperture	20mm
Housing Color	black
Weight	75g

(\*) Over the complete operating temperature range

### Features





- Operating Voltage 3V DC
- Laser Class 3B
- Image processing
- Compact size
- Glas lenses anti reflex coated

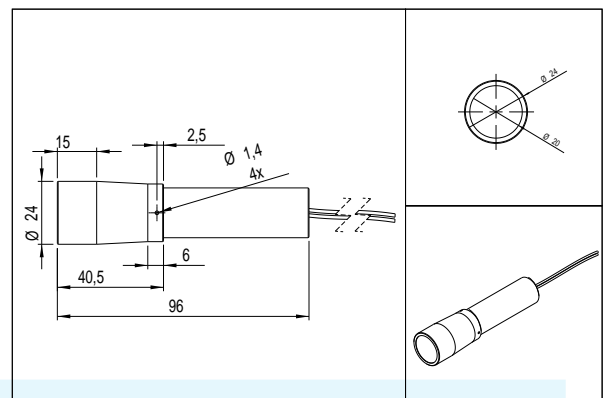
### Picture



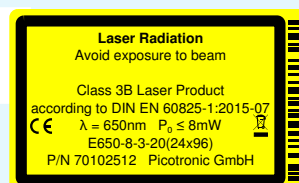
### Cable Colors

Ground		black	GND
Positive		red	2.7 - 3.3, typ 3V DC

### Drawing



### Safety Label



### Revision

REV 3 | 03-NOV-2010