

Line laser, red, 650nm, 90°, 15mW

LB650-15-230(40x210)
Order Number: 70112023

Main Parameters (*)	min	typ	max	Unit
Wavelength		650		nm
Optical Output Power		15		mW
Operating Voltage	207	230	253	V AC
Operating Current	5	10	15	mA
Operating Temperature	-20		50	°C
Storage Temperature	-40		80	°C

Technical Parameters

Lifetime	>10000h
RoHS	yes

Optical Parameters

Beam Shape	Line
Laser Class	2
Divergence	B - 0.3mrad
Fan Angle	90°
Line Thickness	<2mm@5m
Operating Distance	5m
Optics	glass lens AR coated
Laser technology	diode
Focus	fixed (5.0m)

Electrical Parameters

Potential of Housing	isolated
Connector	AC CEE 7/7

Mechanical Parameters

Size	Ø40x210mm
Material	aluminium
Cable length	1750mm
Wire type	H05VV-F
Output Aperture	8mm
Weight	920g

(*) Over the complete operating temperature range

Features



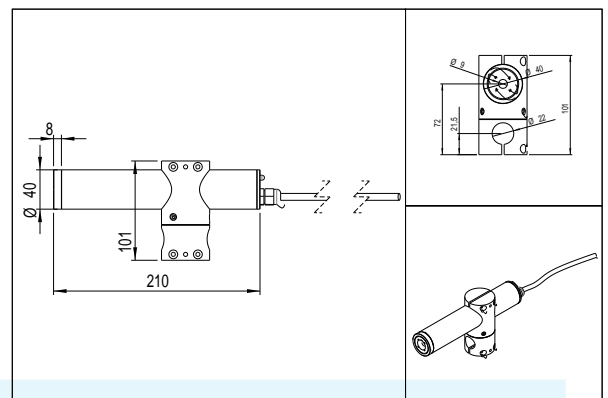
- Operating Voltage 230V AC
- Laser Class 2
- Uniform line thickness
- Glas lenses anti reflex coated
- Fixed focus

Picture

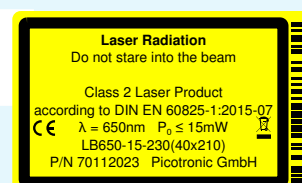


Montageplatte optional
Base Plate not included

Drawing



Safety Label



Revision

REV 47 | 23-FEB-2016