

## Expander Laser, red, 658nm, 20mW

E658-20-3-15(20x120)

Order Number: 70116793

Main Parameters (*)	min	typ	max	Unit
Wavelength		658		nm
Optical Output Power		20		mW
Operating Voltage	2.7	3	3.3	V DC
Operating Current	100	120	130	mA
Operating Temperature	-20		50	°C
Storage Temperature	-40		80	°C

### Technical Parameters

Lifetime	>10000h
RoHS	yes

### Optical Parameters

Beam Shape	expander
Laser Class	3B
Divergence	B - 0.3mrad
Beam Diameter	15mm
Size of Laserdot	<17mm@10m
Operating Distance	80m
Optics	glass lens AR coated
Laser technology	Single Mode Diode
Focus	fixed (10.0m)

### Electrical Parameters

Potential of Housing	isolated
Power Supply	LFNT-3

### Mechanical Parameters

Size	Ø20x120mm
Material	aluminium
Cable length	100mm
Wire type	26AWG, 0,14mm <sup>2</sup>
Output Aperture	15mm
Housing Color	black
Weight	84g
Stripping of wire	5mm

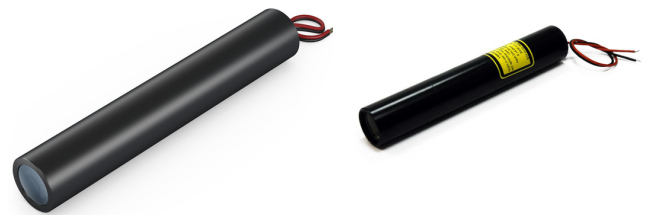
(\*) Over the complete operating temperature range

### Features





- Operating Voltage 3V DC
- Laser Class 3B
- Glass lenses anti reflex coated
- Uniform illumination
- Small laser head

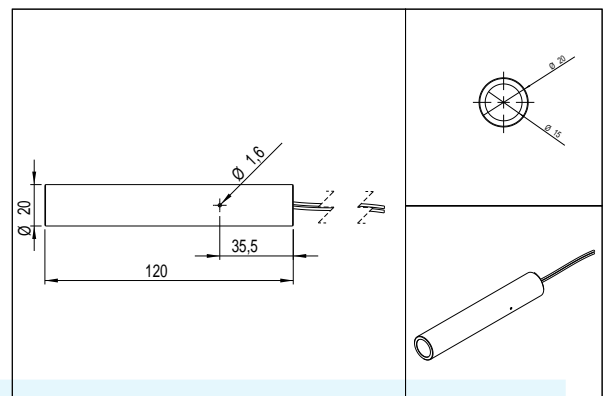
### Picture



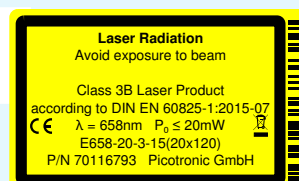
### Cable Colors

Ground		black	GND
Positive		red	2.7 - 3.3, typ 3V DC

### Drawing



### Safety Label



### Revision

REV 0 | 06-JAN-2017