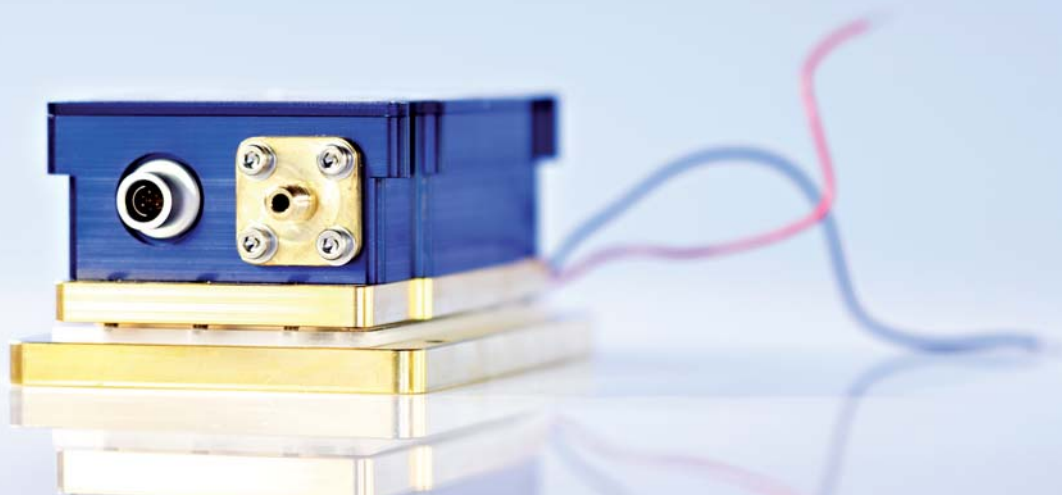




## Fiber-Coupled Diode Lasers

cw, passively cooled with integrated TEC, new: 880 nm



JOLD-45-CPXF-1L

Design 215415624 | 215415124

### Features:

- High optical output power of 45 W cw
- Fiber core diameter: 400  $\mu\text{m}$  | 600  $\mu\text{m}$  (NA 0.22)
- Integrated power monitor
- Long Lifetime > 20,000 h, high reliability

### Applications:

- Pumping of solid-state lasers and fiber lasers
- Material processing
- Medical applications

# Fiber-Coupled Diode Lasers

cw, passively cooled with integrated TEC, new: 880 nm

## Specifications (Start of Life)

### Product

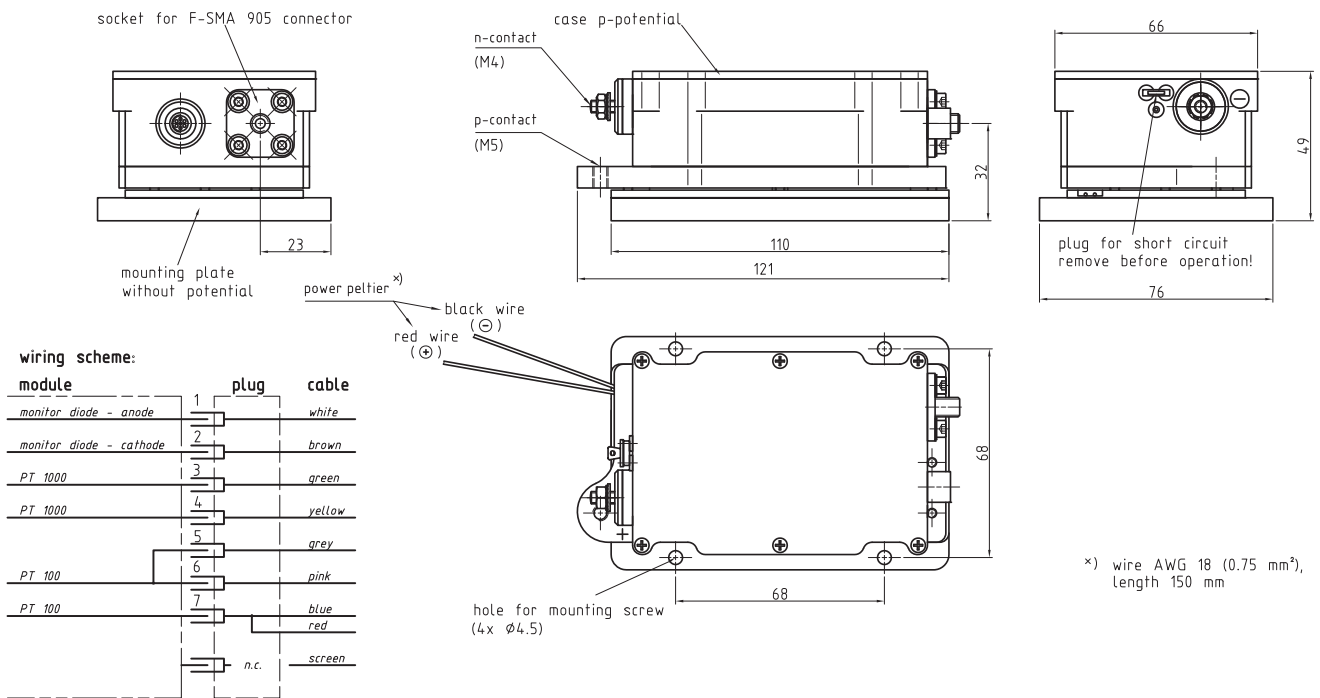
JOLD-45-CPXF-1L, Design 215415624 / 215415124

Operation Mode	cw, power modulation only between threshold and maximum current					
Maximum Optical Output Power	45	45	45	45	45	W
Center Wavelength at 25 °C	808	880	915	938	976	nm
Center Wavelength Variation at 25 °C	3	3	5	5	3	nm
Typical Spectral Bandwidth (FWHM)	3	3	3	3	3	nm
Maximum Spectral Bandwidth (FWHM)	4	4	4	4	4	nm
Typical Operation Current	59	60	60	60	64	A
Maximum Operation Current	65	66	66	66	70	A
Typical Threshold Current	10	9	6	6	6	A
Maximum Threshold Current	13	12	9	9	9	A
Typical Slope	0.95	0.90	0.85	0.85	0.80	W/A
Minimum Slope	0.80	0.75	0.75	0.75	0.70	W/A
Maximum Operating Voltage	2	2	2	2	2	V
Fiber Core Diameter, Numerical Aperture	<b>Design 215415624:</b> 400 µm, NA 0.22; free standing fiber inside F-SMA 905 towards the module <b>Design 215415124:</b> 600 µm, NA 0.22					
Fiber Connector	F-SMA 905					
Power Monitor	Infineon, SFH 229					
Anode, Cathode Connectors	M5 (e.g. socket cap screw ISO 4762), M4 (threaded bolt and hex nut ISO 4032)					
Operation Conditions	Non-condensing atmosphere					
Expected Lifetime	> 20,000 h (constant current), partly under qualification					

### Cooling:

Mounting	Via thermally conductive foil (thickness 25 ... 100 µm) on cooled surface
Note	<b>Do not mount via any paste-like media!</b>
Diode Laser Operating Temperature	15 ... 30 °C, measured with internal temperature sensor
Temperature Sensor	PT 100 and PT 1000
Integrated TECs	Connected in series, cold side at max. 30 °C
Maximum Cooling Power	2 TECs x 173 W => 346 W
Maximum TEC Voltage, Current	2 x 24.6 V => 49.2 V, 11.3 A
	Manufactured under license of FhG-ILT Aachen (Germany).
	<b>See General User Information!</b>

Options on request: 88x nm; for additional designs or specifications please visit our website: [www.jenoptik.com](http://www.jenoptik.com)



JENOPTIK | Lasers & Material Processing

JENOPTIK Laser GmbH

Goeschitzer Strasse 29 | 07745 Jena | Germany

Phone: +49 3641 65-3053 | Fax: +49 3641 65-4011

E-mail: [sales-laser.lm@jenoptik.com](mailto:sales-laser.lm@jenoptik.com) | [www.jenoptik.com/diodelasers](http://www.jenoptik.com/diodelasers)