



Fiber-Coupled Diode Laser Stacks cw, actively cooled with deionized water



JOLD-210-CAXF-6A

Design 211616226

Features:

- High optical output power of 210 W cw
- Fiber core diameter: 600 μm (NA 0.22)
- Integrated pilot laser and power monitor
- Lifetime > 10,000 h, high reliability

Applications:

- Pumping of solid-state lasers and fiber lasers
- Material processing

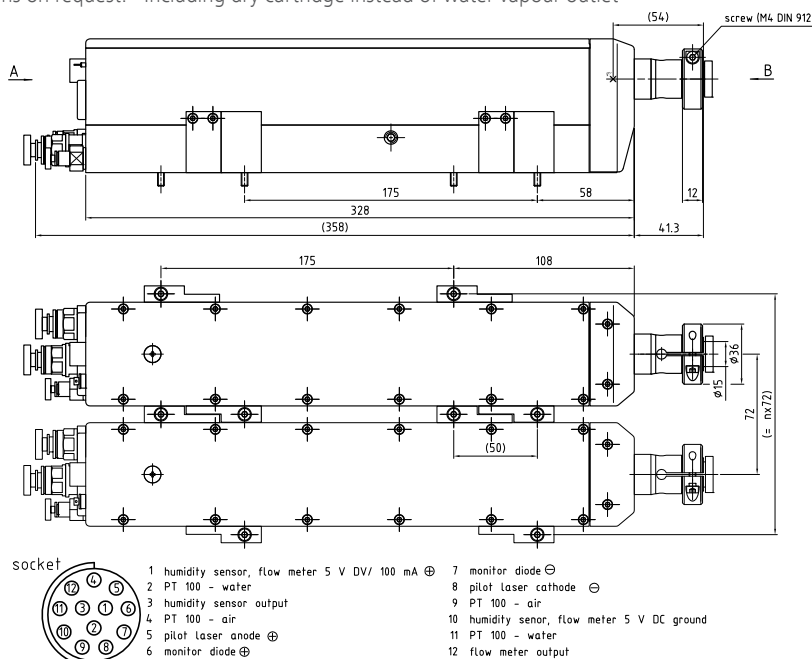
Fiber-Coupled Diode Laser Stacks

cw, actively cooled with deionized water

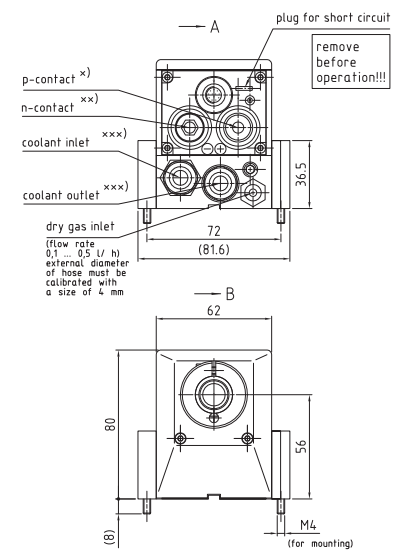
Specifications (Start of Life)

Product	JOLD-210-CAXF-6A, Design 211616226				
Operation Mode	cw, power modulation only between threshold and maximum current				
Maximum Optical Output Power	210	210	210	210	W
Center Wavelength at 25 °C	807	915	938	976	nm
Center Wavelength Variation at 25 °C	3	5	5	3	nm
Typical Spectral Bandwidth (FWHM)	4	4	4	4	nm
Maximum Spectral Bandwidth (FWHM)	5	5	5	5	nm
Typical Operation Current	59	60	60	64	A
Maximum Operation Current	65	66	66	70	A
Typical Threshold Current	10	6	6	6	A
Maximum Threshold Current	13	9	9	9	A
Typical Slope	4.3	3.9	3.9	3.7	W/A
Minimum Slope	3.8	3.5	3.5	3.2	W/A
Maximum Operating Voltage	13	13	13	13	V
Fiber Core Diameter, Numerical Aperture	600 µm, NA 0.22				
Fiber Connection	High-power plug with 15 mm ferrule diameter				
Power Monitor	Infineon, SFH 229				
Pilot Laser	0.5 ... 3 mW, 650 nm ± 15 nm, 3 ... 5 V, 40 ± 15 mA, power not adjustable (only for teaching and targeting purposes before laser operation)				
Anode, Cathode Connectors	Plug KST6AR-N/10 (Part No.15.0001-22), Socket KBT6AR-N/10-S (Part No. 15.0017-21); Ref.: www.multi-contact-usa.com				
Humidity Reduction	Purge gas, water vapor outlet closed with membrane				
Purge Gas	Synthetic air, purity > 99.9997 %, flow rate 0.1 ... 0.5 l/h (10 ... 20 mbar pressure), Ref.: www.airliquide.com				
Purge Gas Connector	Ø 4 mm push-in fitting				
Expected Lifetime	> 10,000 h (constant current)				
Cooling:					
Flow Rate	2.3 l/min ± 0.2 l/min				
Water Temperature	15 ... 35 °C				
Water Pressure	400 kPa maximum inlet and outlet pressure, 150 ... 250 kPa pressure drop				
Water Connectors	Ø 8 mm push-in fittings				
Water Quality	Deionized 2 ... 6 µS/cm, mixed bed ion exchanger, particle filter < 25 µm (not included)				
See General User Information!					

Options on request: Including dry cartridge instead of water vapour outlet



required connector: S 1031 Z012 - 130 • U Ø ≤ 6.7 mm
Fa: W. W. Fischer GmbH



x) required connector: KST6AR-N/ 10; Order No. 15.0001-22 (Fa: MULTI-CONTACT)
xx) required connector: KBT6AR-N/ 10-S; Order No. 15.0017-21 (Fa: MULTI-CONTACT)
xxx) external diameter of waterhose must be calibrated with a size of 8 mm
ambient temperature < 40 °C



JENOPTIK | Lasers & Material Processing

JENOPTIK Laser GmbH

Goeschwitzer Strasse 29 | 07745 Jena | Germany

Phone: +49 3641 65-3053 | Fax: +49 3641 65-4011

E-mail: sales-laser.lm@jenoptik.com | www.jenoptik.com/diodelasers