

Laser Diode



L808P200



Description

Thorlabs Ø5.6 mm, TO-18 can package discreet laser diode is a compact light source suited to many applications. Our lasers are fully compatible with our entire line of Laser Diode and TEC Controllers as well as our selection of Laser Diode Mounts and Collimation Solutions.

Specifications

($P_o = 200 \text{ mW}$, $T_c = 25 \text{ }^\circ\text{C}$)

Specification	Symbol	Max
Optical Output Power, mW	P_o	200
LD Reverse Voltage, V	$V_{R(LD)}$	2
PD Reverse Voltage, V	$V_{R(PD)}$	30
Operation Case Temperature, $^\circ\text{C}$	T_{op}	-10 to 50
Storage Temperature, $^\circ\text{C}$	T_{STG}	-40 to 85

Specification	Symbol	Min	Typ	Max
Lasing Wavelength, nm	λ_p	805	808	811
Threshold Current, mA	I_{th}	60	80	100
Operation Current, mA	I_{op}	220	260	300
Operating Voltage, V	V_{op}	1.8	2.0	2.5
Monitor Current*, mA	I_m	0.5	1.3	2.0
Slope Efficiency, mW/mA	η	0.5	0.7	0.9
Beam Divergence, $^\circ$	$\theta_{//}$	8	10	12
Beam Divergence, $^\circ$	θ_{\perp}	25	30	40
Astigmatism**, μm	A_s		11	

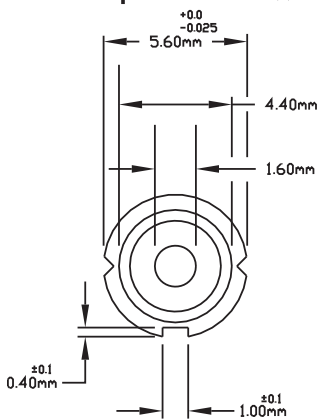
*) $V_R = 5 \text{ V}$

***) $NA = 0.4$

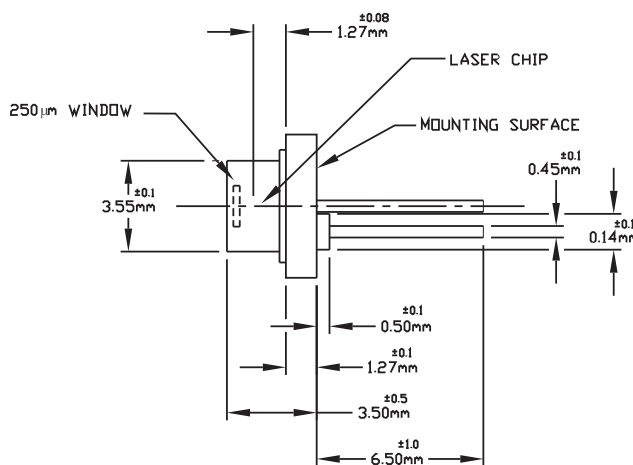
Drawings



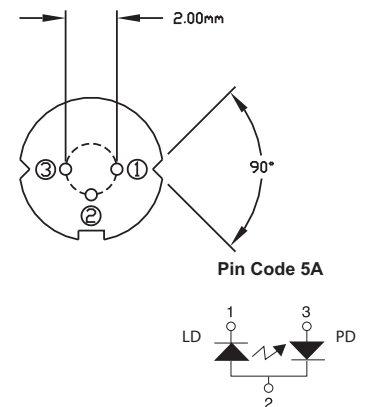
Top View



Side View



Bottom View



Pin Description

- 1 Laser Cathode
- 2 Case Common
- 3 Monitor Diode Anode

USA, Canada, & S. America
 Thorlabs, Inc.
 435 Route 206
 Newton, NJ 07860, USA
 Tel: 973-579-7227
 Fax: 973-300-3600
 www.thorlabs.com
 email: feedback@thorlabs.com

Europe
 Thorlabs GmbH
 Hans-Böckler-Str. 6
 85221 Dachau, Germany
 Tel: +49-(0)8131-5956-0
 Fax: +49-(0)8131-5956-99
 www.thorlabs.com
 email: Europe@thorlabs.com

UK and Ireland
 Thorlabs LTD.
 1 Saint Thomas Place, Ely
 Cambridgeshire CB7 4EX, GB
 Tel: +44 (0)1353-654440
 Fax: +44 (0)1353-654444
 www.thorlabs.com
 email: sales.uk@thorlabs.com

Scandinavia
 Thorlabs Sweden AB
 Box 141 94
 400 20 Göteborg, Sweden
 Tel: +46-31-733-30-00
 Fax: +46-31-703-40-45
 www.thorlabs.com
 email: scandinavia@thorlabs.com

Japan and Asia
 Thorlabs Japan Inc.
 5-17-1, Ohtsuka
 Bunkyo-ku, Tokyo 112-0012, Japan
 Tel: +81-3-5977-8401
 Fax: +81-3-5977-8402
 www.thorlabs.jp
 email: sales@thorlabs.jp

